

THE APOLLO water hydraulic lift - SAMPLE ONLY



Builder's Information

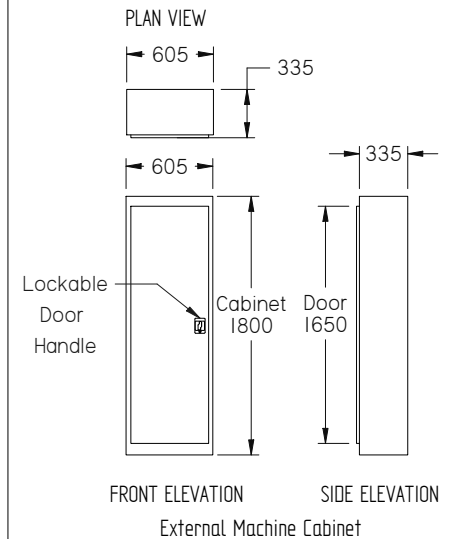
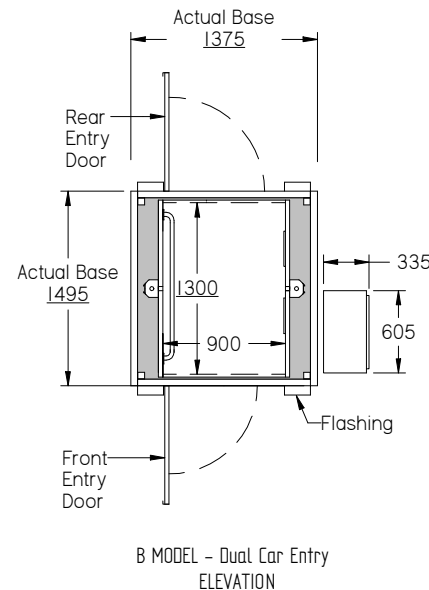
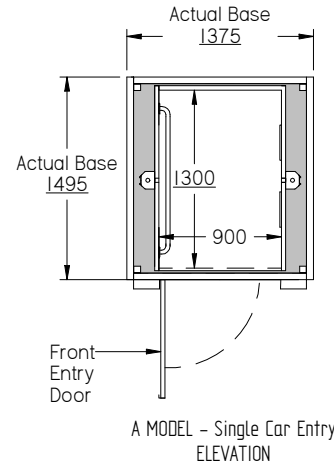
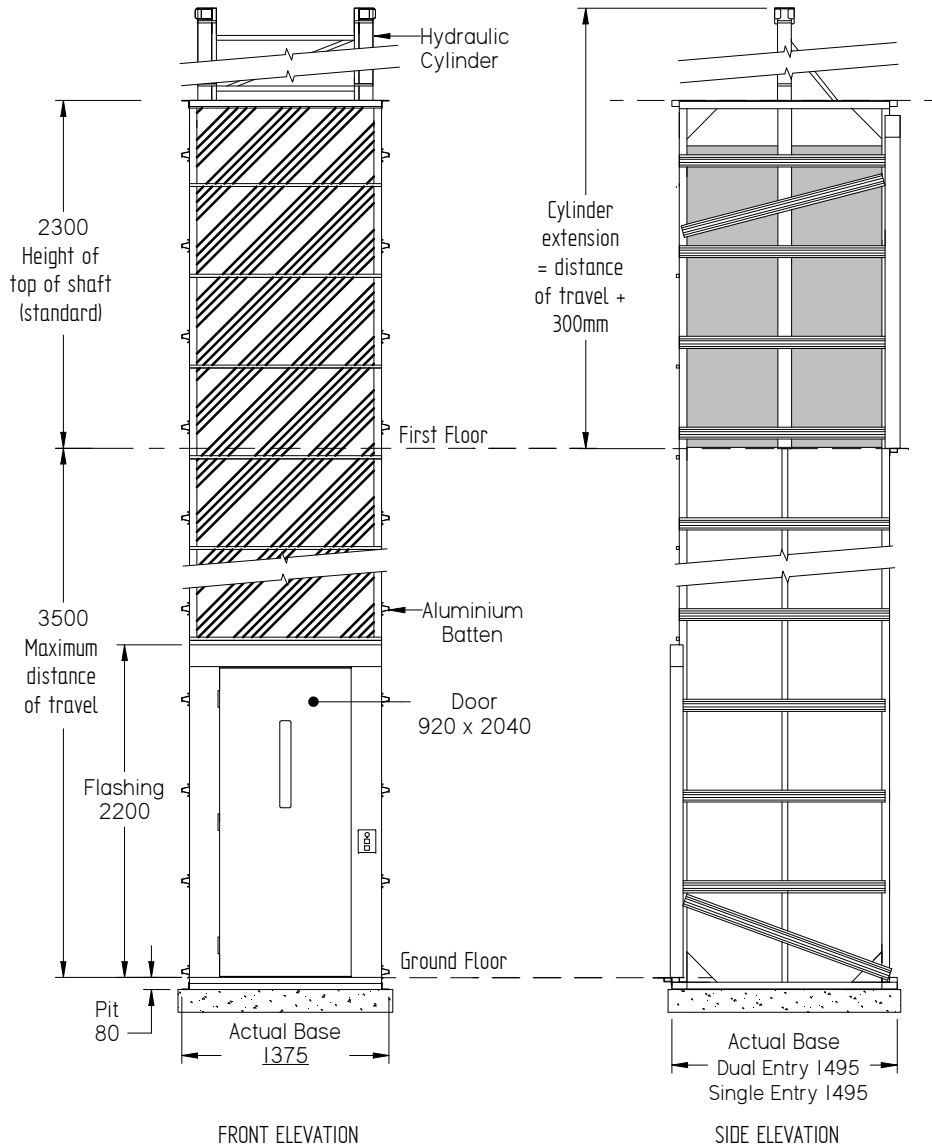
Supplied as a self supporting unit the lift requires no load bearing walls.

If selected, the aluminium battens on the lift can be set up to assist in cladding directly to the lifts tower.

Power requirements: Single Phase 240V 20amp.

Phone: Extension of home phone line

For technical details or confirmed slab & penetration measurements please contact one of our qualified Lift Consultant



PLEASE NOTE: No overhead height is required with this lift as the hydraulic cylinders are contained within the lift shaft. These are indicative drawings. Please speak to one of our friendly Lift Consultants for further information on lift requirements.

For confirmation of measurements, please contact your local Apollo supplier. These dimensions and specifications are a guide only and must not be used for construction purposes.

DRW: 180523_220

CATEGORY: Water Hyd
LAST AUTHOR: marketing
L
LA

APOLLO water hydraulic residential lift
Generic Drawing

900 x 1300 x 2100 lift car
Australian Standard 1735 part 17

DRAWN: [] 26/09/13
SIZE: A3 SHEET 1 OF 1 Dimensions: mm (unless specified)