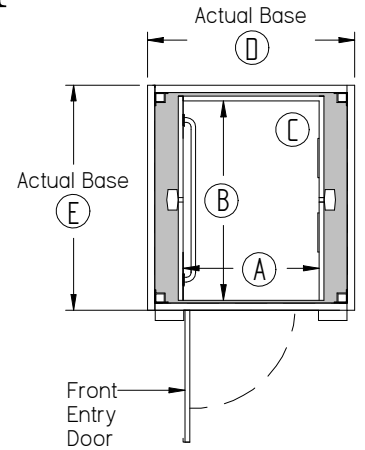
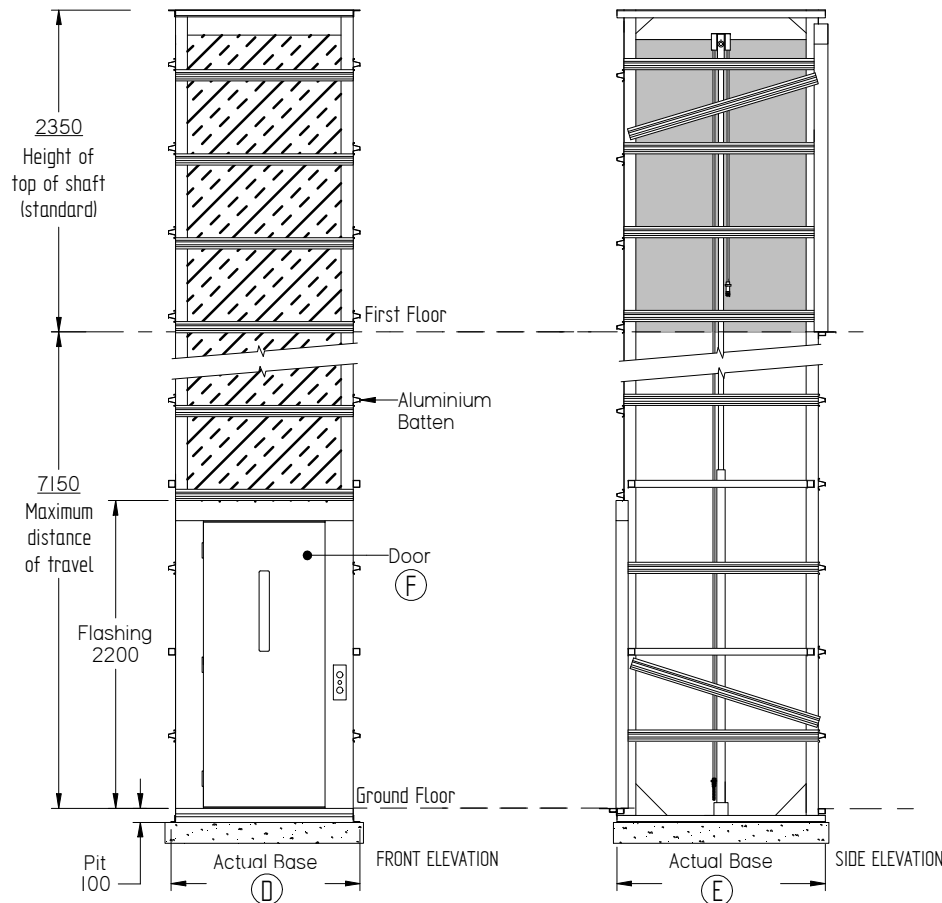
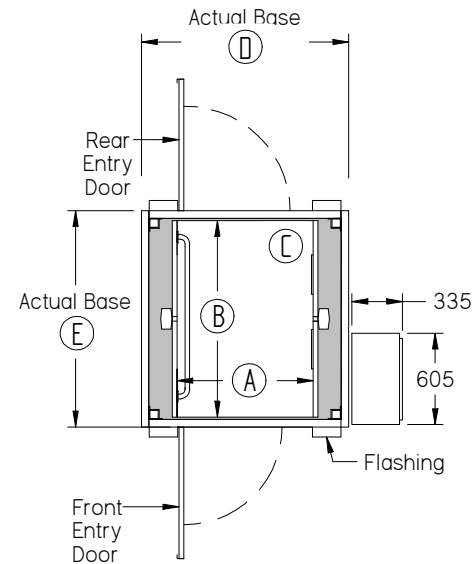


THE PHOENIX 16 oil hydraulic lift - SAMPLE ONLY



A MODEL - Single Car Entry ELEVATION



B MODEL - Dual Car Entry ELEVATION

| Lift Measurements | | | | | | |
|-------------------------|-----------|-----------|------------|-------------|-------------|------------|
| Description | Car Width | Car Depth | Car Height | Shaft Width | Shaft Depth | Door Width |
| Key | A | B | C | D | E | F |
| Single Entry - Standard | 900 | 1300 | 2100 | 1375 | 1495 | 920 |
| Dual Entry - Standard | 900 | 1300 | 2100 | 1375 | 1495 | 920 |
| Single Entry - Deluxe | 1100 | 1400 | 2100 | 1575 | 1595 | 920 |
| Dual Entry - Deluxe | 1100 | 1400 | 2100 | 1575 | 1595 | 920 |

PLEASE NOTE: No overhead height is required with this lift as the hydraulic cylinders are contained within the lift shaft. These are indicative drawings. Please speak to one of our friendly Lift Consultants for further information on lift requirements.

Builder's Information

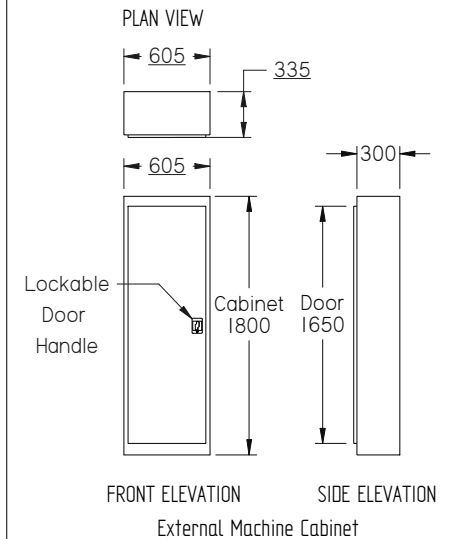
Supplied as a self supporting unit the lift requires no load bearing walls.

If selected, the aluminium battens on the lift can be set up to assist in cladding directly to the lifts tower.

Power requirements: Single Phase 240V 20amp.

Phone: Extension of home phone line

For technical details or confirmed slab & penetration measurements please contact one of our qualified Lift Consultant



For confirmation of measurements, please contact your local Phoenix 16 supplier. These dimensions and specifications are a guide only and must not be used for construction purposes.

DRW: 180523_278

CATEGORY: Oil Hyd Chain
LAST AUTHOR: marketing

08/10/13

PHOENIX oil hyd chain over residential lift
Generic Drawing

SIZE: A3 SHEET 1 OF 1 Dimensions: mm (unless specified)

Option of
900 x 1300 x 2100 lift car or
1100 x 1400 x 2100 lift car
Australian Standard 1735 part 16 & 18