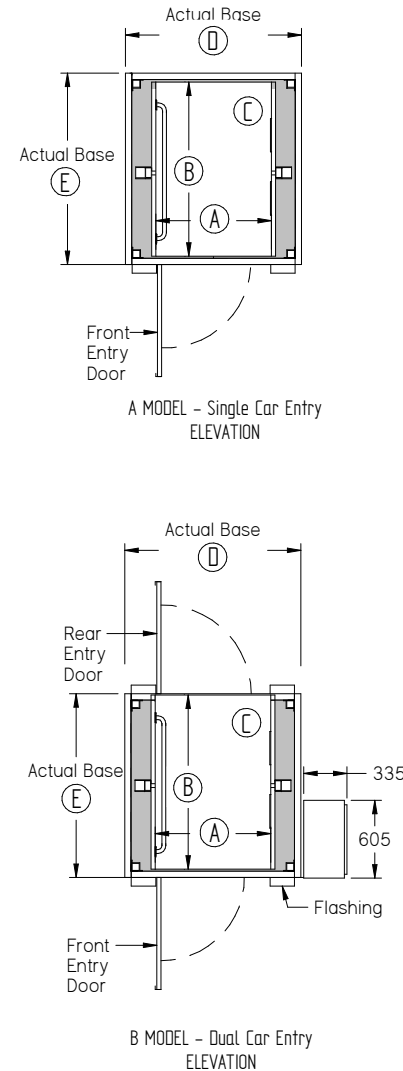
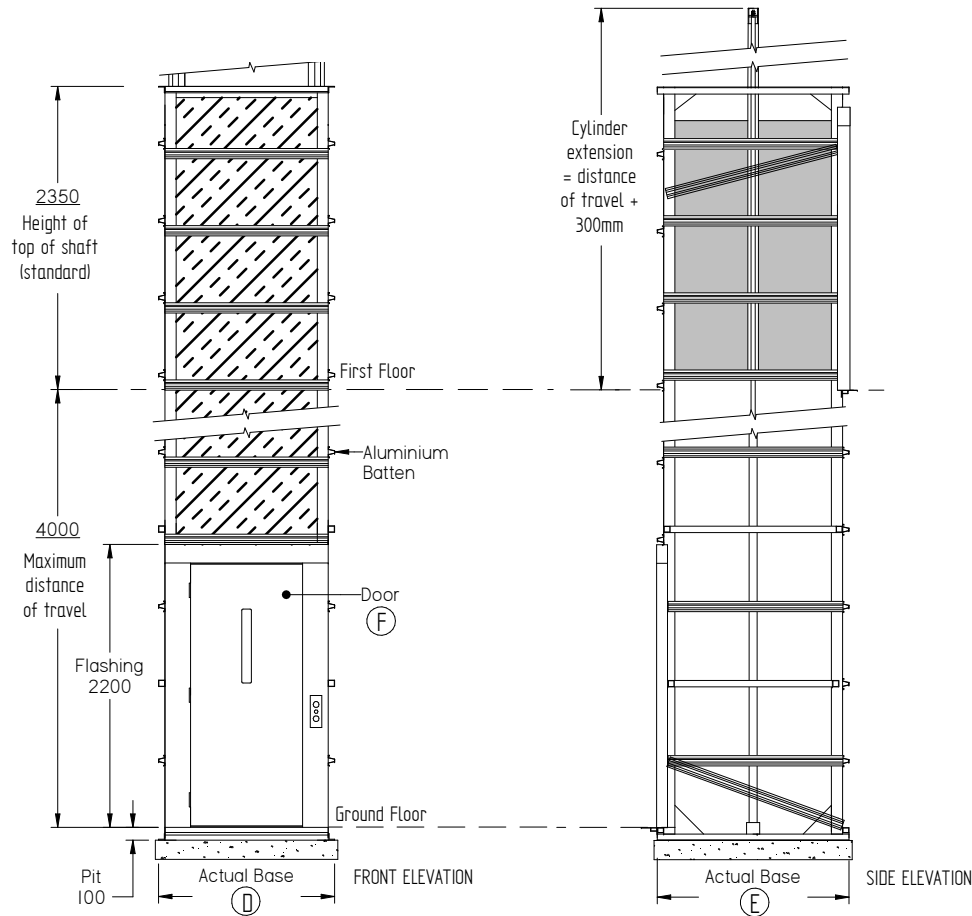


THE ENDEAVOUR oil hydraulic lift



Lift Measurements						
Description	Car Width	Car Depth	Car Height	Shaft Width	Shaft Depth	Door Width
Key	A	B	C	D	E	F
Single entry - Standard	900	1300	2100	1375	1495	920
Dual entry - Standard	900	1300	2100	1375	1495	920
Single entry - Deluxe	1100	1400	2100	1575	1595	920
Dual entry - Deluxe	1100	1400	2100	1575	1595	920

PLEASE NOTE: If overhead height is an issue for the cylinder extension, they can be lowered into a trench below the lift's standard 100mm pit. These are indicative drawings. Please speak to one of our friendly Lift Consultants for further information on lift requirements.

AUSSIE LIFTS

Builder's Information

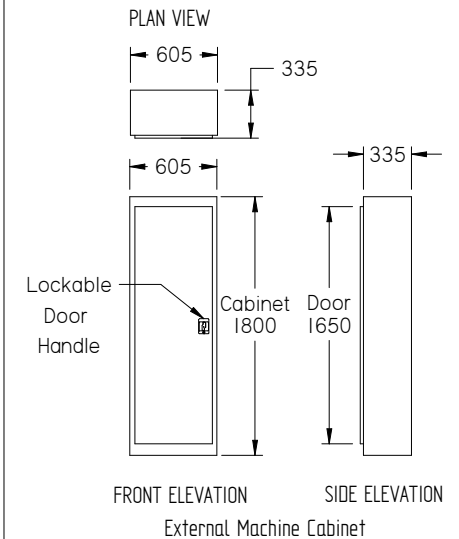
Supplied as a self supporting unit the lift requires no load bearing walls.

If selected, the aluminium battens on the lift can be set up to assist in cladding directly to the lifts tower.

Power requirements: Single Phase 240V 20amp.

Phone: Extension of home phone line

For technical details or confirmed slab & penetration measurements please contact one of our qualified Lift Consultant



For confirmation of measurements, please contact your local Endeavour supplier. These dimensions and specifications are a guide only and must not be used for construction purposes.

DRW: 180523_292

CATEGORY: Oil Hyd

ENDEAVOUR oil hyd residential lift

LAST AUTHOR: marketing

Generic Drawing

LAST MODIFIED: 23/05/2018

LAST PRINTED: 23/05/2018

SIZE: A3

SHEET 1 OF 1

Dimensions: mm (unless specified)

Option of
900 x 1300 x 2100 lift car or
1100 x 1400 x 2100 lift car
Australian Standard 1735 part 18